

SIBO-ROTO meter seals



FEATURES:

- dedicated for \varnothing 0,6 mm wire, e.g. String 600
- 0,6 mm string breakout force 200 N
- wing seal with individually adjustable operational length
- made of polycarbonate (PC)
- temperature range from -20°C to $+ 80^{\circ}\text{C}$
- wire sold separately

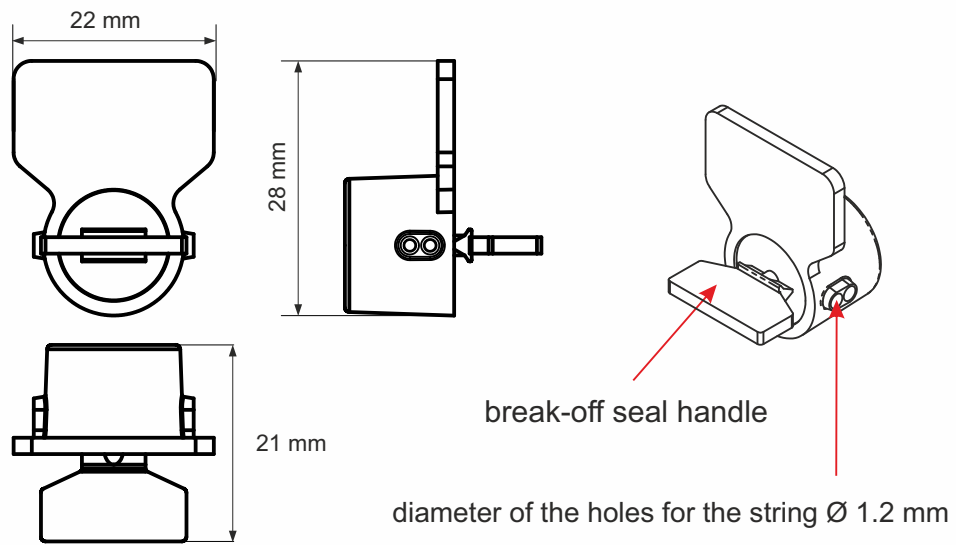
USAGE:

- measuring devices protection
- warehouse security



SIBO-ROTO wings seals

DIMENSIONS :



PRINTING:

- sequential numbering
- numbered bobbin (last 3 digits)
- logo

COLORS:






- other colors on request

BENEFITS:

- unique sealing chamber prevents from unscrewing the seal cylinder
- break-off seal handle prevents from manipulation of other persons
- no crimping tool needed

PACKING:

 100 pcs. in plastic bag

 2 000 pcs. per carton  3 kg
dimensions of carton 57 x 27 x 14 cm