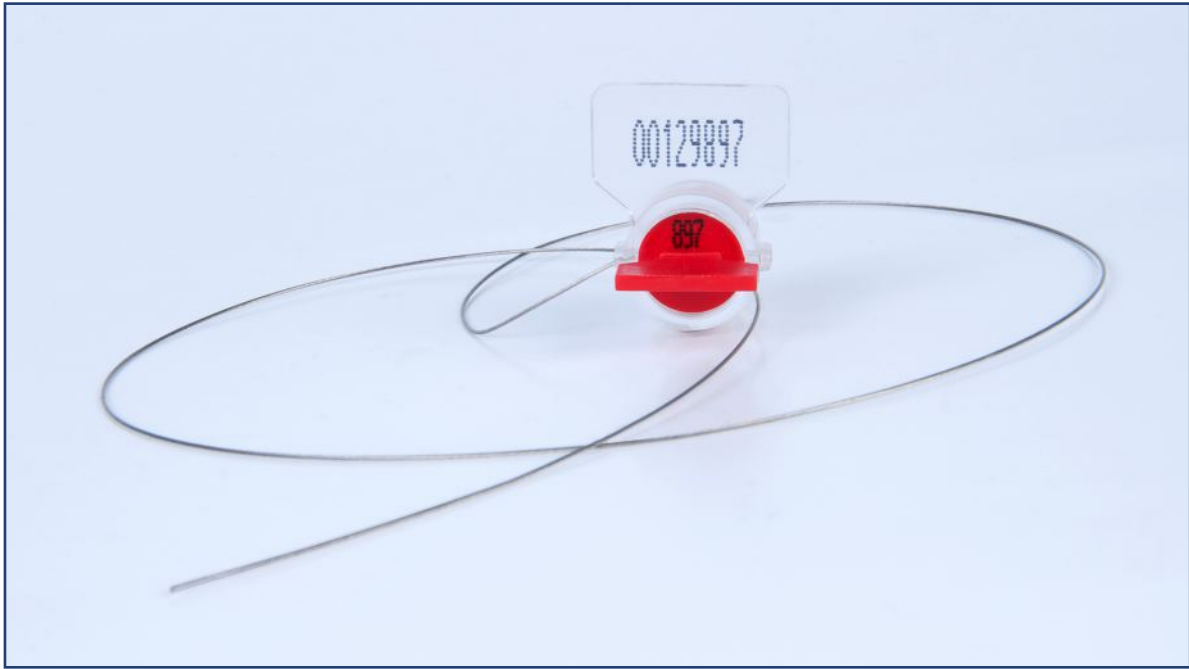


SIBO-ROTO security seal with rolled up steel wire



FEATURES:

- Stainless steel wire in a PVC layer rolled up on a SIBO-ROTO security seal
- Steel wire with a diameter of 0.6 mm
- Steel wire length available in two versions: 30 cm, 60 cm.
- 0,6 mm string breakout force 200 N
- wing seal with individually adjustable operational length
- made of polycarbonate (PC)
- temperature range from -20°C to + 80°C

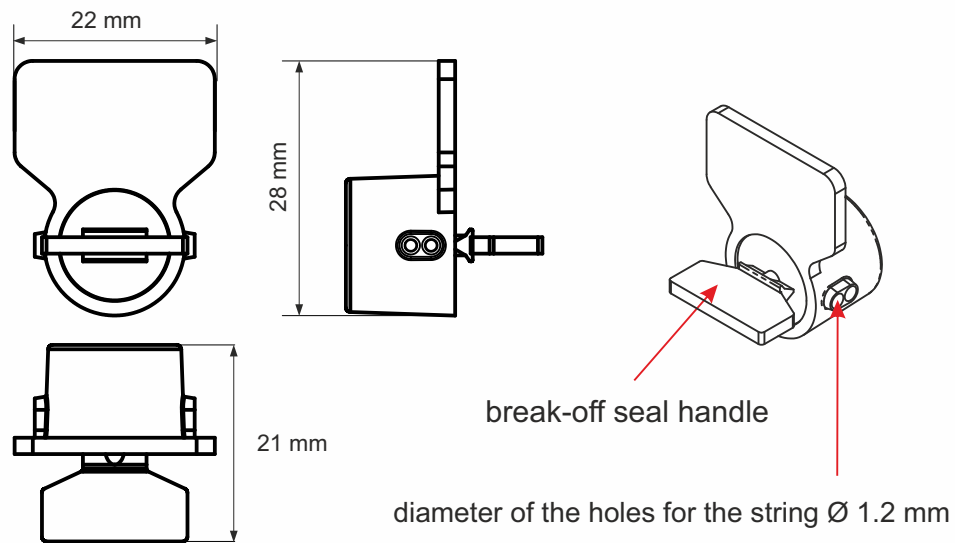
USAGE:

- measuring devices protection
- warehouse security



SIBO-ROTO security seal with rolled up steel wire

DIMENSIONS :



PRINTING:

- sequential numbering
- numbered bobbin (last 3 digits)
- logo

COLORS:



RED



BLUE



YELLOW



GREEN

- other colors on request

BENEFITS:

- unique sealing chamber prevents from unscrewing the seal cylinder
- break-off seal handle prevents from manipulation of other persons
- no crimping tool needed

PACKING:



100 pcs. in plastic bag



1 000 pcs. per carton



3,5 kg

dimensions of carton 33 x 20 x 25 cm